

Carabiners

Steel / Stainless Steel

SPECIFICATION

Types

- Type **C**: Open eye
- Type **E**: Closed eye (only available in stainless steel)

Steel **ST**

Zinc plated **ZB**

Stainless steel **A4**

Plain finish **BL**

INFORMATION

Carabiners GN 5299 are used, for example, to connect tools or other components quickly and without tools or to secure them against loss. The carabiner is opened by hand and closes automatically by a concealed spring when released.

The eye of type E, which is fitted with a pressed-in, closed round thimble, enables captive mounting of the carabiners, e.g. by means of an appropriately pressed retaining cable.

Carabiners GN 5299 must not be used for lifting loads or lashing. The data on load capacity are approximate values to the exclusion of any liability.

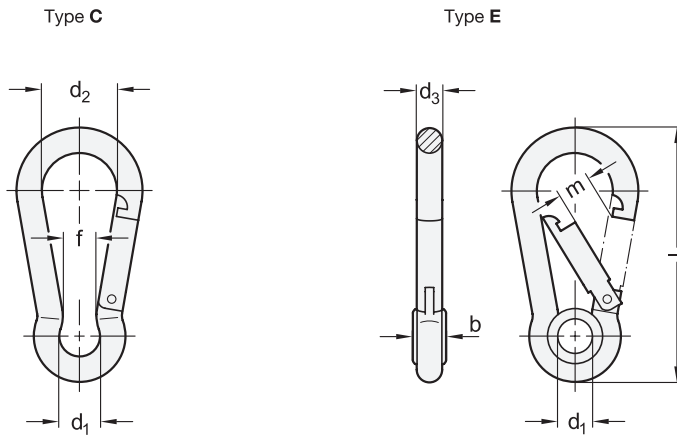


ACCESSORY

- Key Rings GN 111.3 (see page 903)

TECHNICAL INFORMATION

- Stainless Steel Characteristics (see page A26)



GN 5299-ST

| Description | Length l | d ₁ | d ₂ min. | d ₃ | f min. | m min. | Static load in N≈ | △ |
|--------------------|----------|----------------|---------------------|----------------|--------|--------|-------------------|----|
| GN 5299-C-40-ST-ZB | 40 | 6 | 11 | 4 | 4.5 | 5 | 500 | 11 |
| GN 5299-C-50-ST-ZB | 50 | 8 | 15 | 5 | 5.5 | 7 | 1200 | 16 |
| GN 5299-C-60-ST-ZB | 60 | 9 | 17 | 6 | 6.5 | 8 | 1200 | 27 |

GN 5299-A4

STAINLESS STEEL

| Description | Length l | b | d ₁ | d ₂ min. | d ₃ | f min. | m min. | Static load in N≈ | △ |
|--------------------|----------|-----|----------------|---------------------|----------------|--------|--------|-------------------|----|
| GN 5299-C-40-A4-BL | 40 | - | 6 | 11 | 4 | 4.5 | 5 | 500 | 11 |
| GN 5299-C-50-A4-BL | 50 | - | 8 | 15 | 5 | 5.5 | 7 | 1200 | 16 |
| GN 5299-C-60-A4-BL | 60 | - | 9 | 17 | 6 | 6.5 | 8 | 1200 | 27 |
| GN 5299-E-50-A4-BL | 50 | 5.3 | 6 | 15 | 5 | 5.5 | 7 | 1200 | 17 |
| GN 5299-E-60-A4-BL | 60 | 6.4 | 7 | 17 | 6 | 6.5 | 8 | 1200 | 28 |